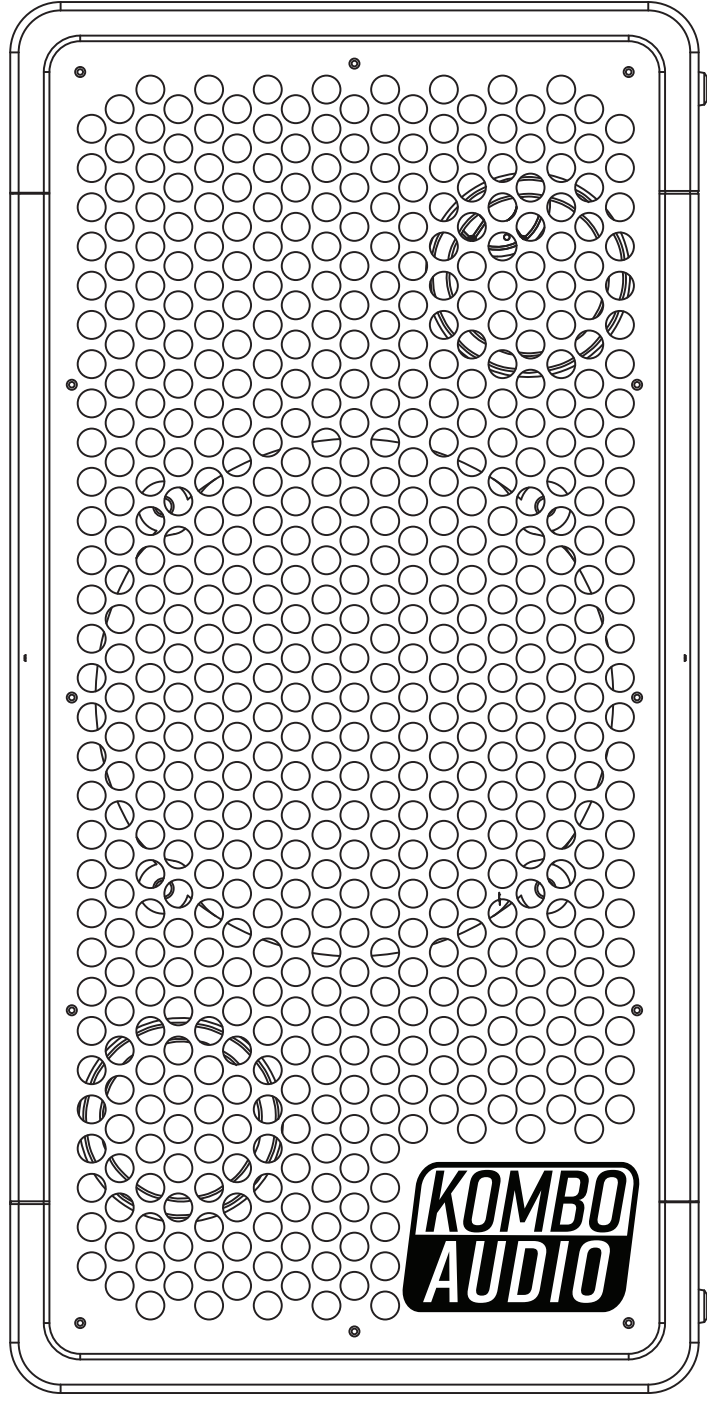


KOMBO SPEAKER SYSTEM

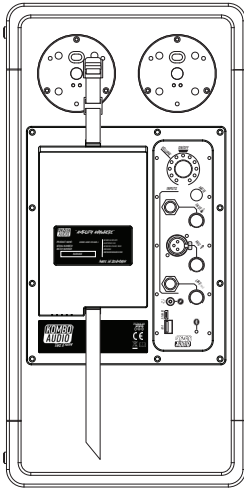
QUICK START GUIDE



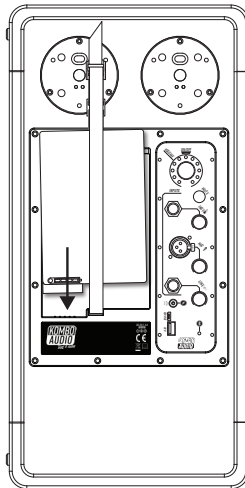
QUICK START GUIDE (KOMBO SYSTEM)

STEP 1 - INSTALL BATTERY

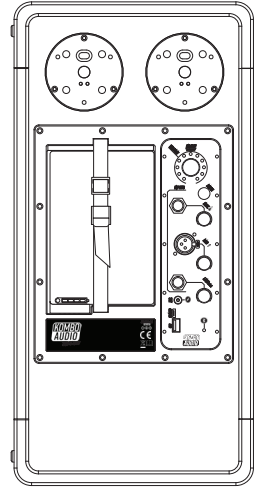
Install the included battery by sliding it into place behind the battery strap, and connect the power supply (Supplied in the package)



LOOSEN BUCKLE



INSTALL BATTERY

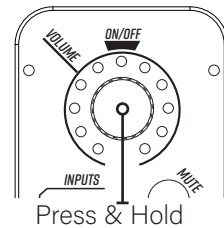


TIGHTEN BUCKLE

STEP 2 - TURN ON SPEAKER

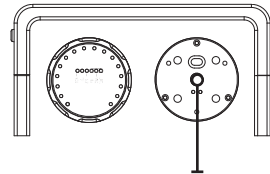
Turn on the speaker by pressing & holding the "On/Off" button for 3 seconds.

Repeat this step to turn off the speaker.



STEP 3 - ATTACH MODULES TO LI-SOUND PORT

Attach your Module/modules to either of the Speakers 4 Li-Sound ports . The module is auto-matically detected and lights up.

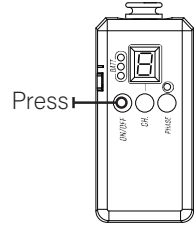


Attach modules to ports

STEP 4 - CONNECT INSTRUMENTS

Connect instrument or microphone to the matching wireless Transmitter. Turn on the Transmitter by pressing the "on/off" button.

Hold the "On/Off" button to turn of the transmitter.

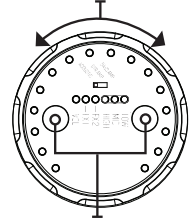


STEP 5 - CREATE YOUR SOUND

Adjust the main volume on the Speaker level adjuster. Scroll through your instruments effects with the receiver, and adjust the parameter with the multi purpose adjustment ring.

Note: Remember to select your instrument on the string module using the instrument select switch.

Adjust parameter



Select parameter

OPTIONAL STEPS - STREAM BLUETOOTH

Open your device's bluetooth devices menu & Pair with your KOMBO Speaker. After pairing, your device is connected and ready to stream your music or backing tracks seamlessly.



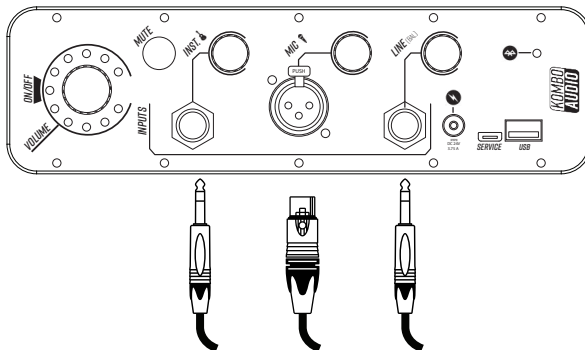
Bluetooth Password: 7846

OPTIONAL STEPS - CONNECT ADDITIONAL INPUTS

The KOMBO speaker is equipped with 3 analog inputs in addition to the 4 module inputs. The speakers inputs include:

- Instrument in input for analog instruments such as acoustic guitars
- Microphone in Input for dynamic microphones (no Phantom power)
- Line in Stereo Line input (Mixed down to mono in speaker)

Simply connect your given input to the speaker through either a 1/4" Jack, or XLR, and adjust its mix volume on the designated volume pots.



SPEAKER GUIDE (KAOI SPEAKER USER GUIDE)

DEVICE OVERVIEW

The rear IO is the main control port for the Kombo speaker, and also provides a range of handy inputs for additional sources.

1: MASTER VOLUME & OFF/ONN

Pressing & holding this knob turns on or off the speaker.
Turning the volume knob adjusts the master mix volume of the entire system.

2: VOLUME INDICATORS

The LED's indicate the currently set master mix volume. When muted, the LED array will pulsate when the speaker is muted.

3: MUTE BUTTON

Mutes all inputs to the speaker when activated.

4: INSTRUMENT INPUT / DI IN

A direct input for analog instruments such as acoustic guitars & violins.

5: MICROPHONE IN

A direct input for dynamic microphones (No phantom power)

6: LINE IN

Stereo line input for keyboards, mixers etc.

7, 8 & 9: INPUT LEVEL

Adjust the input level of each analog input.

10: CHARGER INPUT

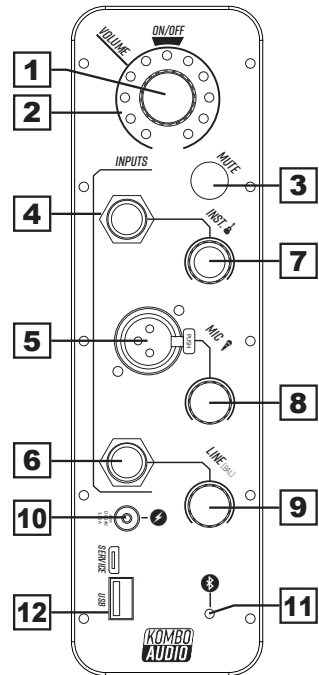
Charge the speakers battery through this DC connector, using the supplied powersupply.

11: BLUETOOTH INDICATOR

Bluetooth LED indicating the pairing status of the bluetooth device.

12: USB CHARGER

A standard USB port for charging all USB equipped devices. Charging current: 500 ma.



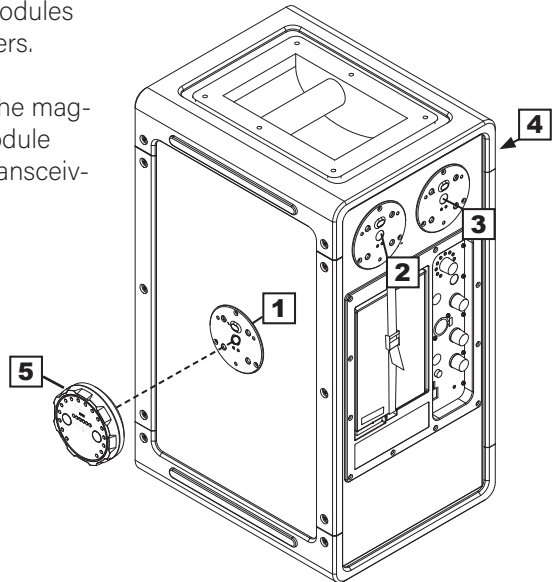
INPUT/OUTPUT LIST

Designator	Type	Function	Note
4	1/4" Jack	Hi Impedance instruments	Suggested for use with electroacoustic instruments.
5	XLR	Microphone in.	High quality Mic input for dynamic instruments.
6	1/4" Jack	Stereo Line in	Balanced stereo line in for connecting mixers, synths etc.
10	DC plug	Battery charging	24V input for supplied power supply.
12	USB B	Device charging	USB charge port for charging small devices (phones, transmitters etc.)

LI-SOUND INTERFACE

Each speaker is equipped with 4 of our multifunctional Li-Sound interface ports (1,2,3 & 4). The unique interface allows you to connect new instrument modules or sync up stacked Kombo speakers.

Modules are connected through the magnetic system. Simply align the module (5) and snap it on the Li-Sound transceiver (1,2,3 or 4).



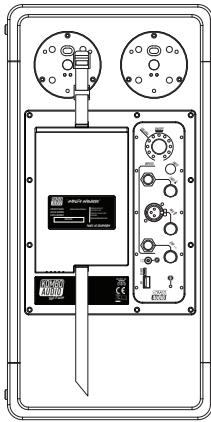
BATTERY CONNECTIVITY

The Kombo speaker is equipped with an intelligent high power Li-ion battery, which powers the mobile experience.

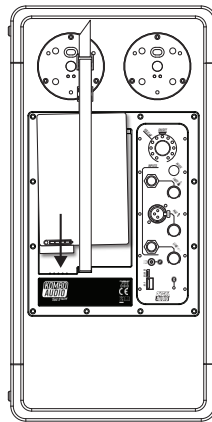
Connecting the battery

The battery can easily be connected and disconnected by simply opening the battery strap, sliding in the battery, and closing the battery strap again.

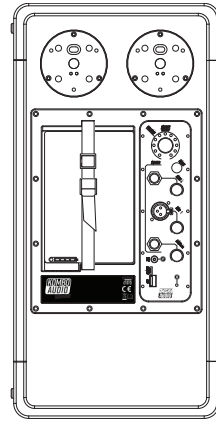
NOTE: ALWAYS TURN OFF THE SPEAKER BEFORE DISCONNECTING THE BATTERY!



LOOSEN BUCKLE



INSTALL BATTERY

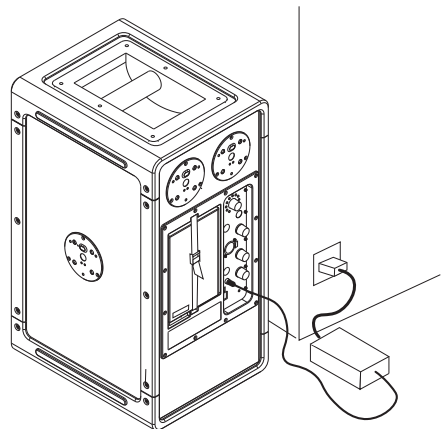


TIGHTEN BUCKLE

Charging

The battery is charged through the speaker. Simply insert the supplied power supply as illustrated and the battery will be charged. The battery charges fully in 2 hours.

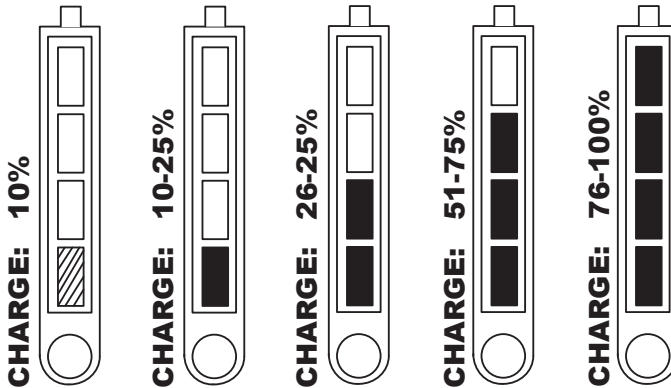
NOTE: NEVER USE ANOTHER CHARGER THAT THE ONE SUPPLIED WITH THE SPEAKER!



Battery level & operation

The KOMBO system is designed for battery operation, and can with its efficient D-class amplifier achieve up to 30 hours of operation on a single battery. The battery life will always be affected by the amount of modules attached, and more intensely the volume and intensity of the sound reproduced.

The battery level can always be checked by pressing the battery level button:



Safety

Both the speaker, battery and supplied charger are equipped with several fail safe systems, all put in place to make the product as safe as possible. Batteries can however still be dangerous if abused, or mistreated.

Please see the battery instructions for correct handling & safety precautions.

NOTE: NEVER EXPOSE THE BATTERY, OR SPEAKER TO WATER OR EXTREME TEMPERATURES.

Acoustics

The Kombo system & speaker has been carefully designed and tuned for the best possible acoustical experience. It is however important to understand, that the room & environment also has a great impact on the speaker's sound. The following is a guide to get the best possible sound out of the Kombo system